

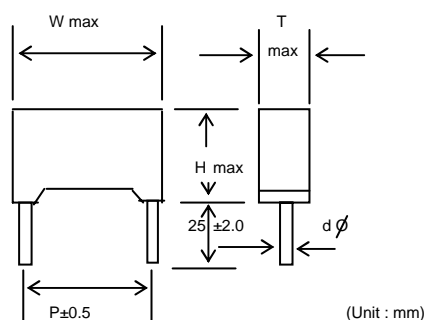
MKTMPX SERIES SAFETY RECOGNIZED FILM CAPACITOR

1. Rated Interference Suppression "X2" Metallized Polypropylene Composite dielectric.
UL 1414 (250V AC), CUL 1414/Canda (250V VAC)
VDE KEMA SEV NEMKO DEMKO SEMKO FIMKO CHINA:
DIN EN 132400 (1994) / IEC60382-14 (1993) AND IEC DRAFT 40 (SEC)677
2. Ideal for using in Line-By-Pass, Antenna Coupling, Across-The-Line and Spark killer circuits and available for EMI filter and switching power supply and radio-and monitor, television application.
3. Flame retardant plastic cases and epoxy resin. (compliance with 94V-0)
4. Self-healing properties.
5. Proven series wound construction.
6. Approved By : UL, CSA, VDE, KEMA, SEV, NEMKO, DEMKO, SEMKO, FIMKO, CHINA.



SPECIFICATIONS :

OPERATING TEMPERATURE	-40 °C to +100 °C
RATED VOLTAGE	280VAC
CAPACITANCE RANGE	0.0022 ~ 4.7uF
DIELECTRIC STRENGTH	Applied 1500VDC for 1minute or 2100VDC for 1 second.
CAPACITANCE TOLERANCE	+/-10% (K)
INSULATION RESISTANCE	Measured after a charging voltage 100 ±15VDC for 1 minute. (1) LESS THAN OR EQUAL TO 0.33μF ≥ 30,000MΩ (2) GREATER THAN 0.33μF ≥ 10,000MΩ · μF
DISSIPATION FACTOR	0.1% MAX. at 1KHz
MAXIMUM PULSE RISE TIME	250 VAC: 120 V/microsecond.



μF \ SIZE	W	H	T	P	d φ	μF \ SIZE	W	H	T	P	d φ
0.0022	13.0	9.0	4.0	10.0	0.6	0.22	26.5	16.5	7.0	22.5	0.8
0.0027	13.0	9.0	4.0	10.0	0.6	0.27	26.5	16.5	8.5	22.5	0.8
0.0033	13.0	9.0	4.0	10.0	0.6	0.33	18.0	14.5	8.5	15.0	0.8
0.0039	13.0	9.0	4.0	10.0	0.6	0.33	26.5	16.5	7.0	22.5	0.8
0.0047	13.0	12.0	5.0	10.0	0.6	0.33	26.5	17.0	8.5	22.5	0.8
0.0056	13.0	12.0	5.0	10.0	0.6	0.39	26.5	20.0	10.0	22.5	0.8
0.0068	13.0	12.0	5.0	10.0	0.6	0.47	17.5	19.0	11.0	15.0	0.8
0.0082	13.0	12.0	5.0	10.0	0.6	0.47	18.0	16.0	10.0	15.0	0.8
0.01	13.0	12.0	5.0	10.0	0.6	0.47	26.5	17.0	8.5	22.5	0.8
0.012	13.0	12.0	5.0	10.0	0.6	0.47	26.5	20.0	10.0	22.5	0.8
0.015	13.0	12.0	5.0	10.0	0.6	0.47	32.0	20.0	11.0	27.5	0.8
0.018	13.0	12.0	5.0	10.0	0.6	0.56	32.0	20.0	11.0	27.5	0.8
0.022	13.0	12.0	5.0	10.0	0.6	0.68	26.5	20.0	10.0	22.5	0.8
0.027	13.0	12.0	5.0	10.0	0.6	0.68	32.0	20.0	11.0	27.5	0.8
0.033	13.0	12.0	5.0	10.0	0.6	0.82	32.0	22.0	13.0	27.5	0.8
0.039	13.0	12.0	6.0	10.0	0.6	0.82	26.5	20.0	10.0	22.5	0.8
0.047	18.0	11.0	5.0	15.0	0.6	1.0	32.0	20.0	11.0	27.5	0.8
0.047	13.0	12.0	6.0	10.0	0.6	1.0	32.0	22.0	13.0	27.5	0.8
0.056	13.0	12.0	6.0	10.0	0.6	1.0	37.0	25.0	13.5	31.5	0.8
0.068	13.0	12.0	6.0	10.0	0.6	1.5	32.0	22.0	13.0	27.5	0.8
0.068	18.0	11.0	5.0	15.0	0.6	1.5	37.0	26.5	17.0	31.5	0.8
0.082	18.0	12.0	5.5	15.0	0.8	1.8	37.0	29.0	19.0	31.5	0.8
0.1	13.5	12.0	6.0	10.0	0.8	2.0	31.0	31.0	22.0	27.5	0.8
0.1	18.0	12.0	6.0	15.0	0.8	2.0	38.0	28.0	18.0	31.5	0.8
0.1	18.0	11.5	5.5	15.0	0.8	2.2	31.0	31.0	22.0	27.5	0.8
0.12	18.0	13.0	6.5	15.0	0.8	2.2	38.0	29.0	19.0	31.5	0.8
0.15	18.0	13.5	7.5	15.0	0.8	2.5	38.0	30.0	20.0	31.5	0.8
0.15	26.5	15.0	6.0	22.5	0.8	3.0	38.0	30.0	20.0	31.5	0.8
0.18	18.0	14.5	8.5	15.0	0.8	3.3	38.8	31.3	21.7	31.5	0.8
0.18	26.5	16.0	6.0	22.5	0.8	4.0	48.0	30.0	30.0	41.5	0.8
0.22	18.0	14.5	8.5	15.0	0.8	4.7	48.0	30.0	30.0	41.5	0.8D

Dimension Tolerance: +/- 0.5mm



MKTMPX SERIES

(MAIN INTERFERENCE SUPPRESSION CAPACITORS)

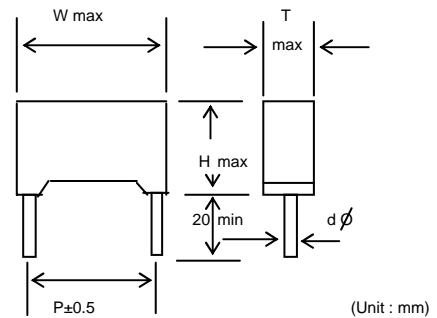
- Class "X1"
UL 1414 (250V AC), CAN/CSA-C22.2 NO. 1-94 (250V VAC)
VDE SEV NEMKO DEMKO SEMKO FIMKO :
DIN EN 132 400(1994) / IEC 384-14 (1993) AND IEC DRAFT 40 (SEC)677
- Ideal for using in Line-By-Pass, Antenna Coupling, Across-The-Line and Spark killer circuits and available for EMI filter and switching power supply and radio-and monitor, television application.
- Fame retardent plastic cases and epoxy resin. (compliance with UL 94V-0)
- Self-healing properties.
- Proven series wound construction.
- Approved By : UL, CSA, VDE, SEV, NEMKO, DEMKO, SEMKO, FIMKO.



SPECIFICATIONS :

TYPE : MEX-X1

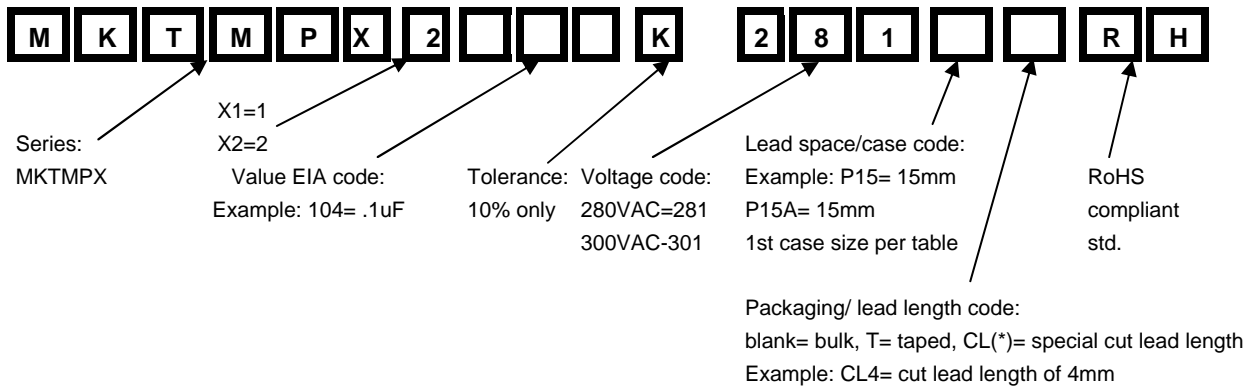
OPERATING TEMPERATURE	-40 °C to +100 °C
RATED VOLTAGE	300VAC
CAPACITANCE RANGE	0.0047 ~ 2.2 μF
DIELECTRIC STRENGTH	Applied 1290VDC for 1minute or 4000VDC for 1 second.
CAPACITANCE TOLERANCE	+5% (J) +-10% (K) +-20% (M)
INSULATION RESISTANCE	Measured after a charging voltage 100 ±15VDC for 1 minute. (1) LESS THAN OR EQUAL TO 0.33μF ≥ 30,000MΩ (2) GREATER THAN 0.33μF ≥ 10,000MΩ · μF
DISSIPATION FACTOR	0.1% MAX. at 1KHz
MAXIMUM PULSE RISE TIME	250 VAC: 120 V/microsecond.



μF \ SIZE	W	H	T	P	d ø	μF \ SIZE	W	H	T	P	d ø
0.0047	13.0	12.0	5.0	10.0	0.6	0.22	18.0	14.5	8.5	15.0	0.8
0.0056	13.0	12.0	5.0	10.0	0.6	0.22	26.5	16.5	7.0	22.5	0.8
0.0068	13.0	12.0	5.0	10.0	0.6	0.27	26.5	17.0	8.5	22.5	0.8
0.0082	13.0	12.0	5.0	10.0	0.6	0.33	18.0	16.0	10.0	15.0	0.8
0.01	13.0	12.0	5.0	10.0	0.6	0.33 *	26.5	16.5	7.0	22.5	0.8
0.012	13.0	12.0	5.0	10.0	0.6	0.33	26.5	17.0	8.5	22.5	0.8
0.015	13.0	12.0	5.0	10.0	0.6	0.39	26.5	20.0	10.0	22.5	0.8
0.018	13.0	12.0	6.0	10.0	0.6	0.47	26.5	17.0	8.5	22.5	0.8
0.022	13.0	12.0	6.0	10.0	0.6	0.47 *	26.5	20.0	10.0	22.5	0.8
0.027	13.0	12.0	6.0	10.0	0.6	0.47	32.0	20.0	11.0	27.5	0.8
0.033	18.0	11.0	5.0	10.0	0.8	0.56	32.0	20.0	11.0	27.5	0.8
0.039	18.0	11.0	5.0	10.0	0.8	0.56*	26.5	20.0	10.0	22.5	0.8
0.047	18.0	11.0	5.0	15.0	0.8	0.68	26.5	20.0	10.0	22.5	0.8
0.047*	13.0	12.0	6.0	10.0	0.8	0.68	32.0	20.0	11.0	27.5	0.8
0.056	18.0	12.0	6.0	10.0	0.8	0.82	32.0	22.0	13.0	27.5	0.8
0.068	18.0	12.0	6.0	15.0	0.8	1.0	26.5	20.0	10.0	22.5	0.8
0.082	18.0	12.0	6.0	15.0	0.8	1.0 *	32.0	22.0	13.0	27.5	0.8
0.1	13.0	12.0	6.0	10.0	0.8	1.0	37.0	25.0	13.5	31.5	0.8
0.1*	18.0	13.5	6.0	15.0	0.8	1.5	32.0	22.0	13.0	27.5	0.8
0.12	18.0	13.0	7.5	15.0	0.8	1.5*	37.0	26.5	17.0	31.5	0.8
0.15 *	18.0	14.5	8.5	15.0	0.8	1.8	37.0	29.0	19.0	31.5	0.8
0.15	26.5	15.0	6.0	22.5	0.8	2.2	32.0	30.0	15.0	27.5	0.8
0.18	18.0	14.5	8.5	15.0	0.8	2.2*	37.0	29.0	19.0	31.5	0.8
0.18	26.5	16.5	7.0	22.5	0.8						

* PREFERRED

MKTMPX PART NUMBERING EXPLANATION



Part numbering examples:

Description:

MKTMPX2105K281P27.5BRH

X2 type, 1uF/280VAC, 10%, 27.5mm lead spacing, RoHS
2nd case code option(B): W32,H22,T13
Standard lead length of 25mm, bulk packaged

MKTMPX2473K281P15CL4RH

X2 type, .047uF/280VAC, 10%, 15mm lead space, RoHS
Cut lead length= 4mm, bulk packaged

MKTMPX2103K281P10TRH

X2 type, .01uF/280VAC, 10%, 10mm lead spacing, RoHS
taped & box packaged