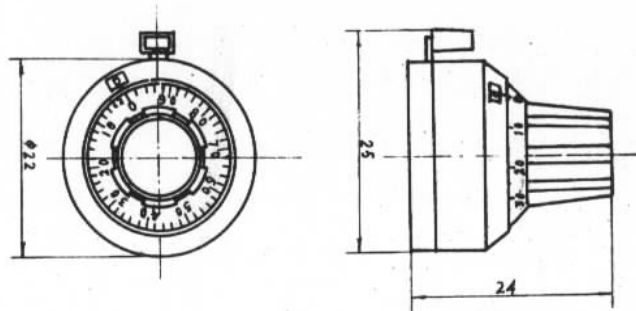


ZS-22-15-B Turns-Counting Dial



Features:

- For use with precision potentiometers or other rotating devices
- Number of turns: 0 to 15
- Dial Divisions: 50 per turn
- Torque with brake engaged: 550 mN.m
- Excellent legibility – white marking on black background
- No backlash
- High force, positive brake
- Standard models to fit 1/4", 4mm and 6mm diameter shafts
- Weight: 7 grams